

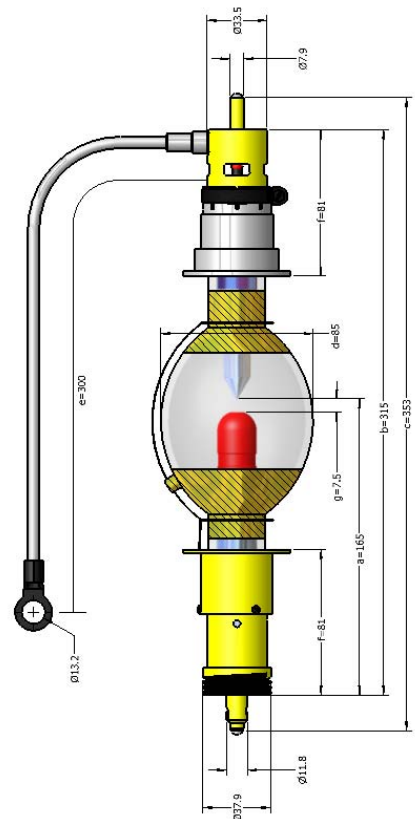


LTIH-5014W

The LTIH-5014W is a short arc mercury xenon lamp that provides high radiant power in the ultraviolet and visible wavelength range. It is particularly suited for high-speed microlithography production environments, as required for the fabrication of printed circuit boards and integrated circuit applications.

TECHNICAL SPECIFICATIONS

Part Number	2310042
Description	LTIH-5014W
Power (W)	5000
Voltage (V)	50-57
Current (A)	95
Min/Max (A)	90/100
Ignition Voltage (kV)	36
Min. Open Circuit Voltage (V)	85/110
Cooling (ft/sec)	20
Diameter d (mm)	85
Length c max. (mm)	353
Length b max. (mm)	315
Distance a (mm)	165
Lead length e (mm)	300
Ferrule length f (mm)	81
Arc gap (cold) g (mm)	7.50 ± .2
Lamp life (hours)	750
Distribution wavelength (nm)	365, 405, 436
Operating position	vertical ±10°
Anode base	37.9 - 11.8
Cathode base	33.5 - 7.9



Cross reference information:
Ushio PC-5001-CBT

Warranty: 0-50 hours
51-750 hours pro rated

Equipment: Chime-Ball

WARRANTY

1. Lighting Technologies International (LTI) will guarantee free replacement of any mercury xenon lamp that fails prematurely, or that exhibits an intensity decrease below 70% of the initial value (365nm) in PCB illumination systems, due to any defect in material or workmanship, provided that it has been operated properly and has not been physically or electrically misused within warranty lifetime.
2. Lighting Technologies International (LTI) guarantees a full refund for claims of damage to optical and mechanical parts of an illumination system caused by lamp explosion during the lamp's warranty period.
3. Warranty claim forms must be completely filled out for returned lamps, or claims will not be processed. All lamps must be returned within 30 days of lamp being removed from service for warranty consideration. Lighting Technologies International (LTI) reserves the right to final determination of all warranty claims.
4. If Lighting Technologies International (LTI) determines that lamp failure was caused by the user, the damaged lamp will be returned and all warranty claims rejected. LTI makes no other warranty representations and does not assume any other liabilities for damages other than those expressed herein. These warranties are in lieu of all other warranties expressed or implied, including, but not limited to the implied warranties or merchantability and fitness for a particular purpose.